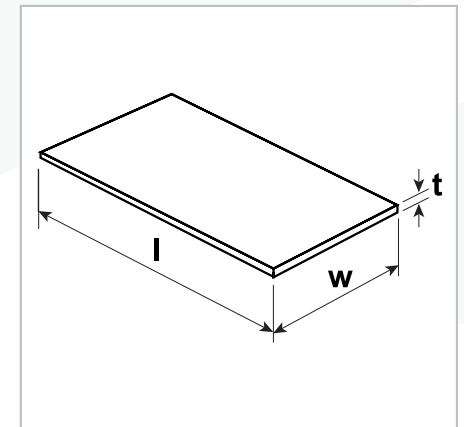


PLATE PRODUCTS REFERENCE GUIDE: BOILER PLATE

| Designation | Weight | Thickness t | Width w | Length l | Designation | Weight | Thickness t | Width w | Length l |
|-------------|-------------------|-------------|---------|----------|-------------|-------------------|-------------|---------|----------|
| | kg/m ² | mm | mm | mm | | kg/m ² | mm | mm | mm |
| 3100x9600 | 62.80 | 8 | 3100 | 9600 | 2400x9600 | 314.00 | 40 | 2400 | 9600 |
| 3100x9600 | 78.50 | 10 | 3100 | 9600 | 2400x7600 | 392.50 | 50 | 2400 | 7600 |
| 3100x9600 | 94.20 | 12 | 3100 | 9600 | 2400x6000 | 471.00 | 60 | 2400 | 6000 |
| 3100x9600 | 125.60 | 16 | 3100 | 9600 | 2400x6000 | 549.50 | 70 | 2400 | 6000 |
| 3100x8600 | 157.00 | 20 | 3100 | 8600 | 2400x5200 | 628.00 | 80 | 2400 | 5200 |
| 3100x9600 | 196.25 | 25 | 3100 | 9600 | 2400x5200 | 785.00 | 100 | 2400 | 5200 |
| 2400x9600 | 251.20 | 32 | 2400 | 9600 | | | | | |



- Manufactured in accordance with the requirements of Australian Standard AS/NZS 1548 -PT460NR.

